

U.S. Pat. No. 7,269,906

⚠ Caution: This marking gauge comes pre-assembled with a sharp cutting blade installed. A protective cover has been placed over the blade; however, to prevent injury, please be careful when removing the cover.

The marking gauge is three tools in one: a cutting gauge, a pin gauge, and a wheel gauge. It comes with the following accessories: a strip of 12 cutting blades, two hardened steel marking pins, a 3/8" dia. hardened steel wheel cutter, a wheel cutter retaining screw, a hex key, and a plastic storage tube to hold the accessories when not in use.

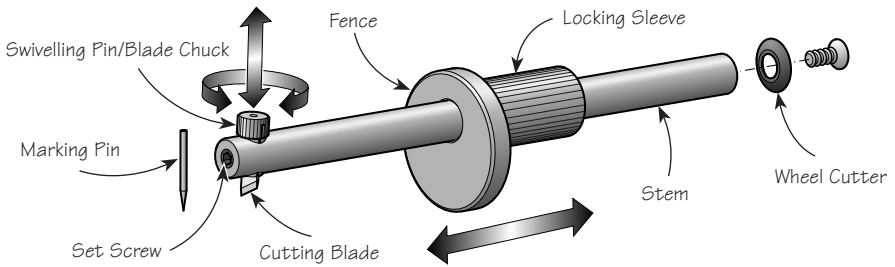


Figure 1: Overview.

The swivelling pin/blade chuck allows you to set the cutting blade for right- and left-hand use, blade skew, and depth of cut. Skewing the blade about 5° away from the workpiece will pull the fence against the stock, maintaining accuracy. To skew the blade, back off the set screw from the pin/blade chuck (using the included hex key), rotate the chuck to the desired angle, then retighten the set screw. To adjust the depth of the blade, back off the set screw, use a set of pliers to slide the blade to the desired depth and/or adjust the depth of the chuck position in the stem, then retighten the set screw. Once you have established the correct blade depth and blade skew, loosen the locking sleeve, slide the stem to the required length, and retighten the locking sleeve. Place the fence against your workpiece and begin cutting your line.

To install a fresh cutting blade, use two sets of pliers to break one from the blade strip (as shown in **Figure 2**). Be sure to **wear eye protection** for this task. Loosen the set screw and use pliers to remove the old blade and insert the new blade into the chuck. Adjust the projection of the blade and retighten the set screw.

To use the pin gauge, first carefully remove the cutting blade using pliers (as described above). Insert the pin in the center hole of the pin/blade chuck, adjust projection, then retighten the set screw.

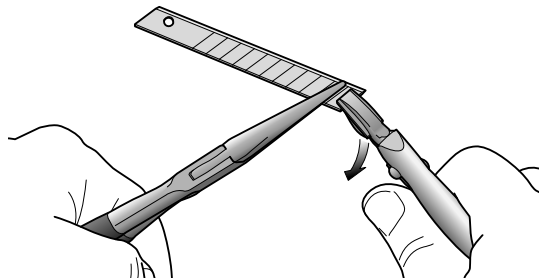


Figure 2: Breaking off a blade.

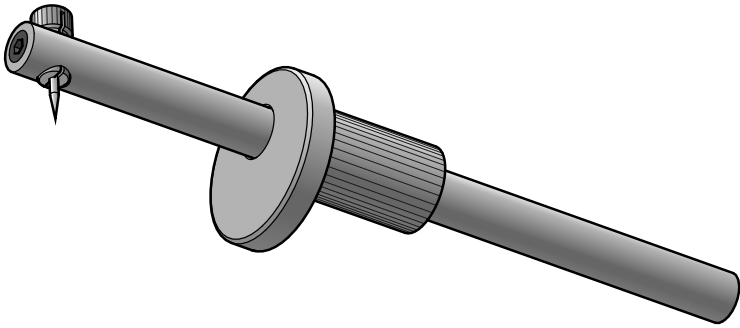


Figure 3: Pin installation.

To use the wheel cutter, first carefully remove the cutting blade or marking pin, as well as the pin/blade chuck, and place these in the storage tube for safekeeping. The wheel cutter is installed at the opposite end of the stem. Loosen the locking sleeve and remove and flip the fence to face the end of the stem where the wheel cutter attaches. Orient the wheel cutter as shown in **Figure 4** and secure it using the flat-head screw. The screw head should be slightly recessed into the wheel cutter when tightened.

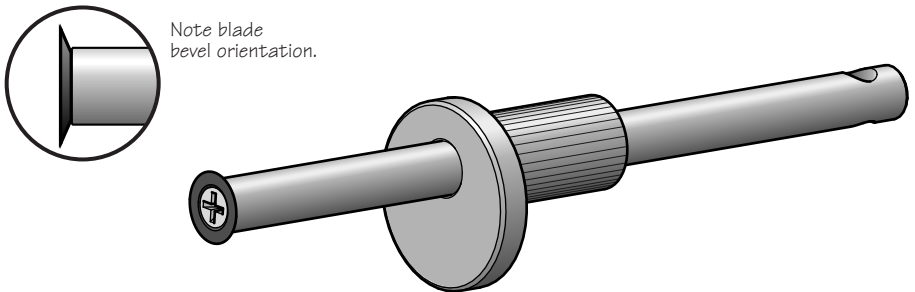


Figure 4: Wheel installation.

As the cutting edge of the wheel is at the extreme end of the stem, the gauge can also be used for transferring dimensions such as tenon shoulder and mortise depth.

For those who prefer to switch between the pin/blade and the wheel, an extra stem is available separately.

To keep your gauge from tarnishing, wipe clean and coat with a silicone-free paste wax or other sealant every so often. If the gauge becomes tarnished, brass polish will revitalize the shine.

Accessory

05N65.02 Extra Stem